



C900WM Enables a wide range of motion, allowing the user to move their monitor screen vertically or laterally while ensuring a high degree of stability. Simple to use and easy to install, C900WM is ideal for lecterns, podiums and AV carts.

Standard Features

- VESA compatible: 75x75, 100x100
- 90° Monitor rotation
- Tilts up and down

Compatibility

- LEX31 Multimedia Lectern
- LEL021 Height Adjustable ADA Lectern
- LEL023 Height Adjustable Ergonomic Lectern
- PDL2311 Height Adjustable Executive Multimedia Podium
- PD51 Series

Other compatible products available

Contact our sales team for inquiries*

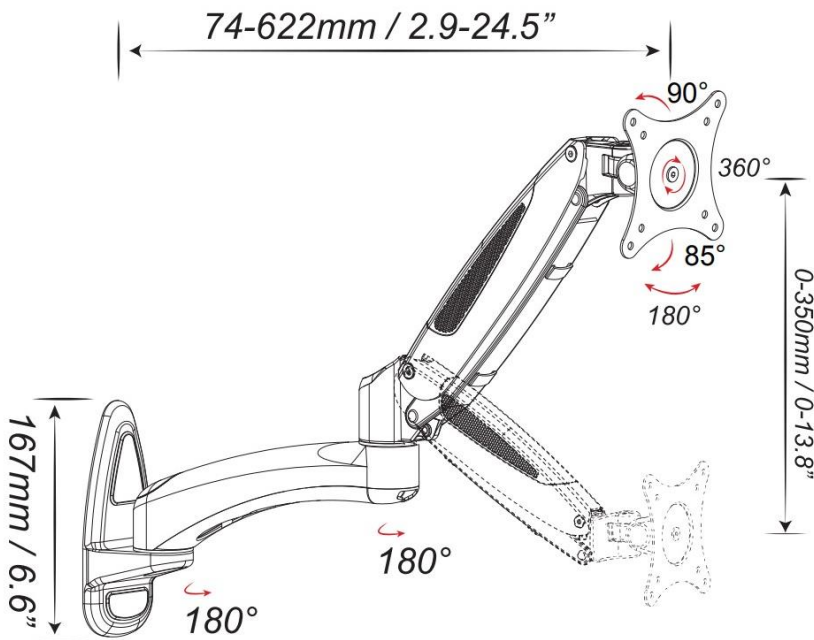
Specifications

Model: C900WM

Width: 4.4"

Depth: 22.55"

Length: 16.85"



The information contained in this drawing is the sole property of Audio Visual Furniture International. Any reproduction in part or as a whole without the written permission of Audio Visual Furniture International is prohibited. We can build or modify stock configurations to suit customer specifications. Please contact us to discuss how this service can help meet your needs. Some quantity restrictions may apply. Specification subject to change without notice. Computers, cameras, monitors, etc. are shown to illustrate product usage and are not included unless otherwise noted.